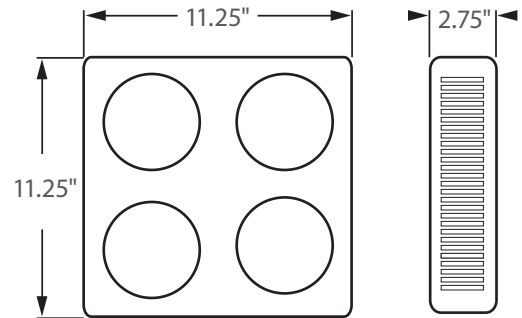




FULL SPECTRUM LIGHTING



Incredible 100,000 hrs

GENERAL DESCRIPTION

Neptun's 4 lamp LED grow light fixture features a full spectrum lighting design to be used in plant growth applications. The LED-GL4 series fixture features excellent optics and its rugged design allows for use in a variety of indoor growing applications. Low operating temperature and high efficiency design allows for optimal energy savings vs. metal halide and HPS lighting systems.

APPLICATION

- Plant growth lighting

STRUCTURE, MATERIALS, & FEATURES

- Heavy-gauge, die-cast aluminum housing.
- Corrosion resistant electrocoat black finish.
- 4 mounting hooks with adjustable Gripple hanging system.
- On / Off power switch with detachable power cord.
- LED engine design with Advanced Thermal Management.
- High Output full spectrum COB LED's.
- High power factor, low THD driver.
- Full spectrum wave length (380nm - 730nm)
- Instant-On flicker-free Cold Start and Hot Re-Start.
- Up to 15 year maintenance free operation.
- 5 Year Warranty on complete fixture. (LED's, Driver, & Housing)

ORDERING INFORMATION

Sample Number: LED-GL4-360-UNV-FS-C3
Custom options and accessories available. Please consult factory

Series	Wattage	Voltage	Color Temp	Accessories
LED-GL4 = Grow Light Fixture - 4 Lamp	360 = 360 W	UNV = 120-277 VAC 347V = 347 VAC 480V = 480 VAC	FS = Full Spectrum	C3* = 3' Cord-No Plug (other lengths available C6 = 6' cord) PC3 = 3' Cord with NEMA Plug (verify plug type when ordering)



PRODUCT INFORMATION

Model No.	Description	Rated Watts	Input Watts	Initial Lumens	Universal Line Voltage (VAC)	Max Line Current (Amp) @ 120 - 277	THD	Power Factor	Weight
LED-GL4-360-UNV	LED Grow Light Fixture	360	362	23,400	120-277	3.15 - 1.36	<20%	>0.90	15 lbs

SPECIFICATIONS

- LED Driver Constant Current
- Power Supply 350mA
- Driver UL Rating Class 1
- Driver UL Outdoor Rated Wet Location
- Start Method InstantON
- Hot Re-start InstantON
- Universal Input Line Voltage 120-277 VAC
- Input Line Frequency 50/60 Hz
- Ballast Off-State Draw 0 Watts
- Sound Rating Class A
- Projected (L70) @ 25°C > 100,000 hrs.
- Color Temperatures Full Spectrum
- P.A.R Range 380nm - 730nm
- Minimum Starting Temperature -40°C
- Maximum Starting Temperature +50°C
- Lumens per Watt > 60
- Shock / Vibration Resistant Yes
- Power Factor > 0.90
- Total Harmonic Distortion < 20%
- Inrush Current Peak < 10 Amp
- FCC Compliance Part 15, Subp. C
- Optics IP Rating IP68
- Driver IP Rating IP67
- Warranty 5 Year

MOUNTING OPTIONS

Hanging Mount



Gripple Hangers Supplied



FULL SPECTRUM

